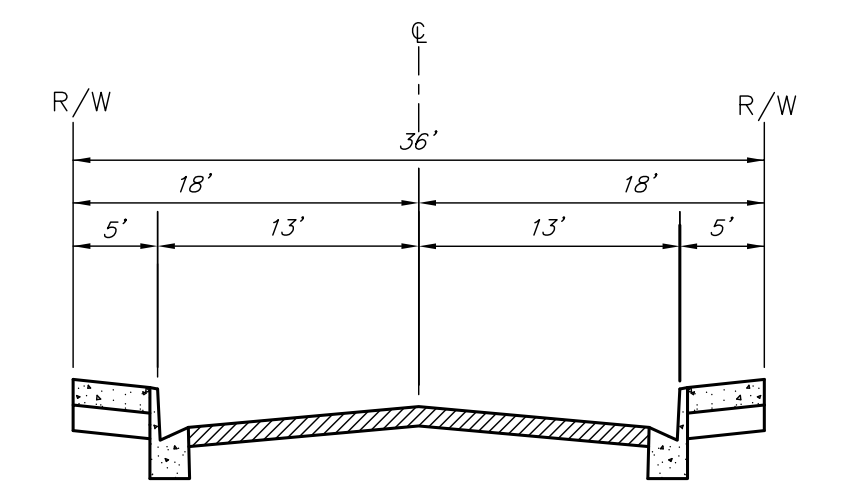
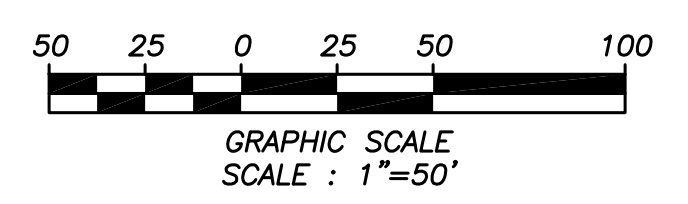
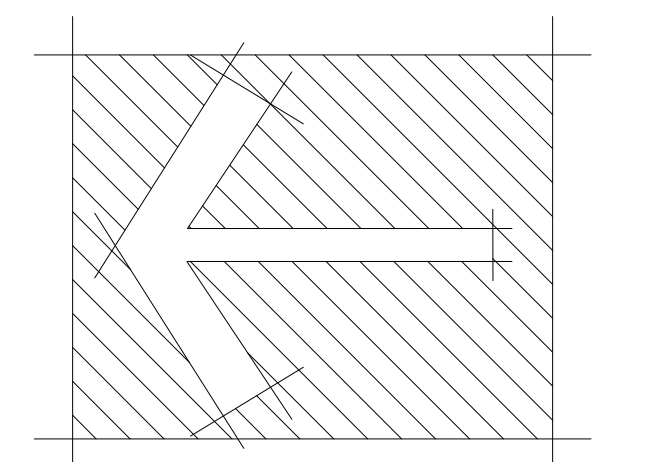
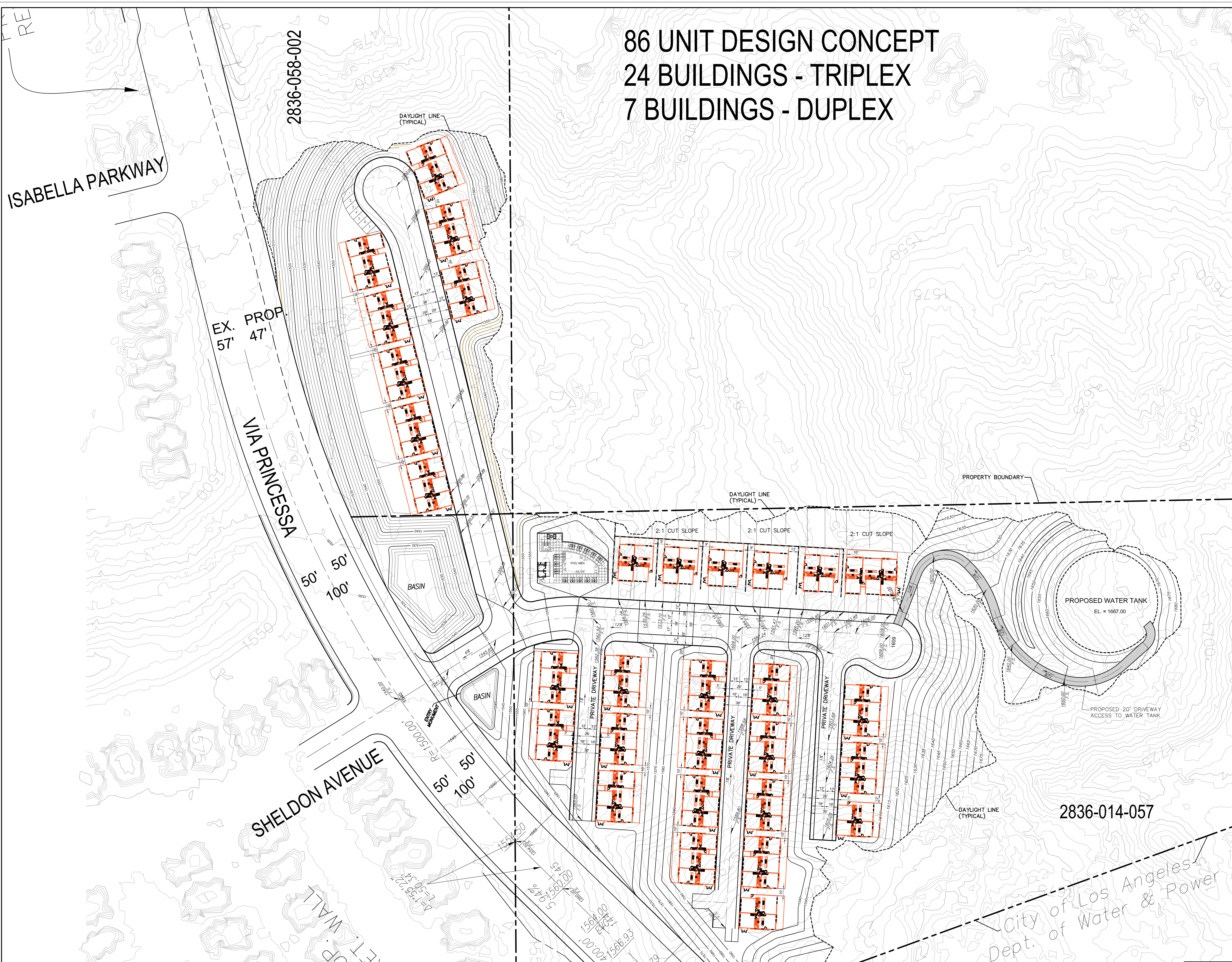


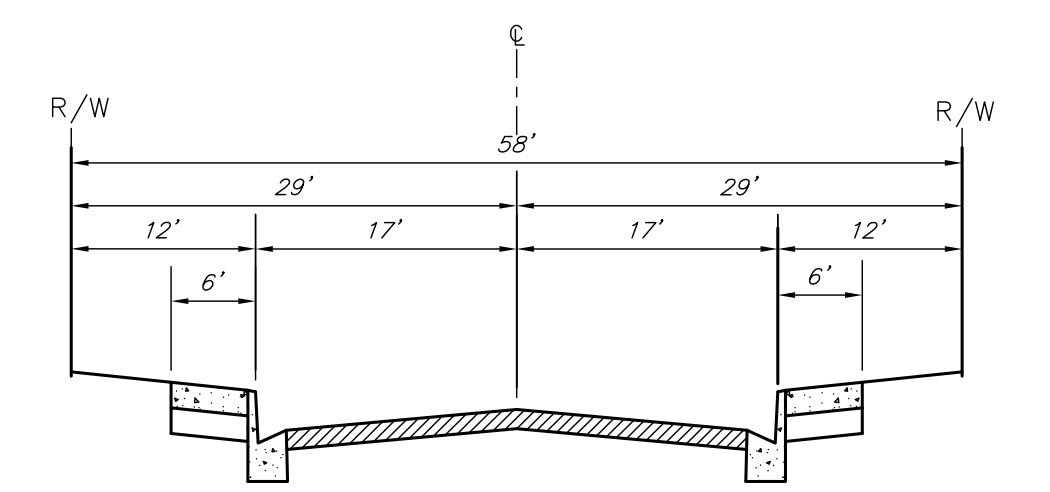
86 UNIT DESIGN CONCEPT

24 BUILDINGS - TRIPLEX

7 BUILDINGS - DUPLEX



36' PRIVATE DRIVEWAY SECTION
NO SCALE



58' ROADWAY SECTION
NO SCALE

LEGEND:

- PROPERTY BOUNDARY
- STREET RIGHT OF WAY
- STREET CURB
- PROPOSED MAJOR CONTOUR
- PROPOSED MINOR CONTOUR
- EXISTING MAJOR CONTOUR
- EXISTING MINOR CONTOUR
- PROPOSED RETAINING WALL

PROJECT SITE DATA:

APN: 2836-014-057 & 2836-058-002
 PROJECT GROSS AREA = ±37 ACRES
 TOTAL NUMBER OF UNITS = 86
 ON-SITE DETENTION/WATER QUALITY BASINS = 2
 VISITOR PARKING PROVIDED = 35 (INCLUDING CURB SIDE PARKING)

PREPARED BY:



3791 Prairie Ridge Court
 Simi Valley, CA 93063
 Phone: 805.522.2622
 Fax: 805.426.8016

email: CDD@civildesignanddrafting.com

CITY OF SANTA CLARITA

VIA PRINCESSA SITE
 CONCEPTUAL LAYOUT
 86 UNIT DESIGN

DATE: 3-18-2015